

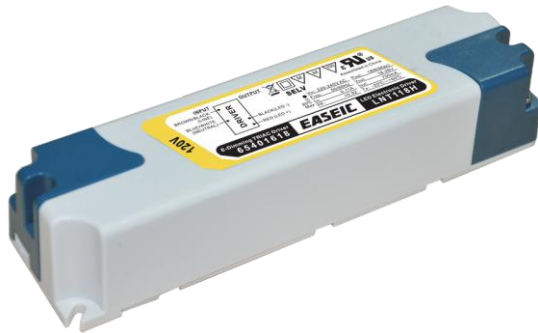
E-Dimming LED Driver

Design and Quality EASEIC of USA

LNT118H

E-DIMMING TRIAC DRIVER

SPEC SHEET



18W 26V 0.70A TRIAC Dim
LNT118H
65401618



SELV RoHS

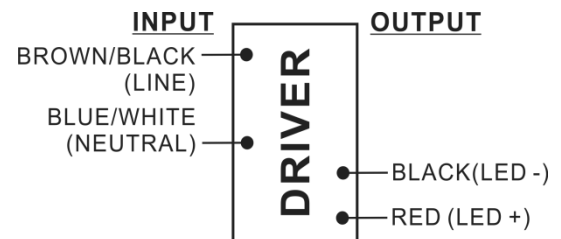
Features

- Compatible with industry standard TRIAC(forward-phase or Leading-edge) and ELV(Reverse-phase or Trailing-edge) phase-cut dimmers
- Designed for LED lighting applications
- Compact form factor, Fully isolated plastic case
- Class 2 power unit
- Cooling by free air convection
- high reliability, low cost
- Suitable for dry, damp, and wet location
- 5 year warranty

Benefits

- Enables design of low profile and compact fixtures
- Helps to maximize energy savings and allows application specific light levels

Wire Diagram



Note:

Install in accordance with National and Local Electrical Codes.

Use 18 AWG solid copper wire rated $\geq 300V/85\text{ C}$.

Strip wire 3/8".

Please pay special attention to wiring installation guidelines,

Wrong wiring will cause damage to the LED driver.

Before connection the power, make sure you have access to the LED load.

Product Data

Input Voltage (Vac)	Output Power (W)	Output Voltage (V)	Output Current (A)	Efficiency @Max Load and 70°C case	Max Case Temp. (°C)	Input Current (Arms)	Max Input Power (W)	THD @Max Load (%)	Power Factor @Max Load	Weight (Lbs/kgs)	Envir. Protection Rating
100	18	18-26	0.70	81.0	Life-75°C UL-85°C	0.24	24.2	<20%	>0.92	0.26/0.12	damp and dry
110				81.0		0.22		<20%			
120				81.0		0.20		<20%			

LNT118H

E-DIMMING TRIAC DRIVER

SPEC SHEET

Electrical Specifications

Ordering Information			
Type	LNT118H		
Order Code	65401618		
Full product name	E-Dimming 18W 26V 0.70A TRIAC Dim		
Input Information			
Line Voltage	100-120Vac_rms		
Line Current	0.24A@100VAC	0.22A@110VAC	0.20A@120VAC
Line Frequency	50/60Hz		
Min, Mains Voltage operational	90[<i>min</i>]		
Max, Mains Voltage operational	132[<i>max</i>]		
THD(total)	<20%		
Power Factor(PF)	>0.90		
Inrush Current(Typ.)	Cold Start 10A(<i>t</i> _{width} =270us measured at 50% <i>I</i> _{peak}) at 230VAC		
Leakage Current(Typ.)	<0.5mA/230VAC		
Output Information			
Output voltage	18V to 26V		
Output Constant Current	0.70A		
Maximum open circuit voltage	<60V		
Output Current Ripple (ripple=peak to peak)	10% of nominal output voltage (whichever is greater),measured at 20Mhz bandwidth with 0.1uf ceramic capacitor in parallel with 10uf electrolytic capacitor connected at the end of the output connector.		
Protections	Over Current, Over Voltage, Short Circuit and Open Circuit Protection for LED+ and LED-		
Ambient Temp Range	-20°C to +60°C, 20-95% RH non-condensing		
Max Case Temperature(Tc)	75°C for Life & 85°C for TUV Safety		
Features			
Dimming Interface	TRIAC(forward-phase or Leading-edge) phase-cut dimming ELV(Reverse-phase or Trailing-edge) phase-cut dimming		
Approved Dimmer List(Manufacturer)	ABB,CLIPSAL,HAGER,BERKER,JUNG,PHILIPS DYNALITE, LEGRAND,EASEIC,LUTRON,LEVITON TRIAC(forward-phase or Leading-edge) and ELV(Reverse-phase or Trailing-edge) phase-cut dimmer		
Dimming range	5-100% or 0-100%		
Environment & Approbation			
Environmental Protection Rating	UL damp and dry		
Agency Approbations	UL8750,UL1310,UL935,CSA-C22.2 No.250.13-12,CSA C22.2 No.233		
Electromagnetic Compliance	FCC Title 47 Part 15 Class A		
Audible noise	<24dB Class A		

All the specifications are typical and at 25 °C Tcase unless specified otherwise

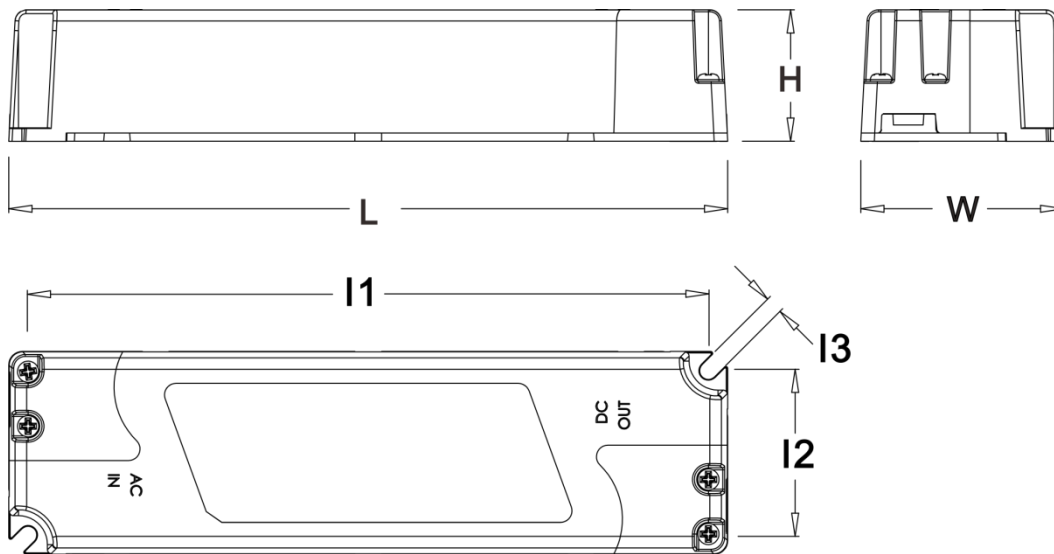
LNT118H

E-DIMMING TRIAC DRIVER

SPEC SHEET

Mechanical Specifications

Mechanical Drawing:



Dimensions

	In.	mm
Case Length(L)	5.6	141
Case Width(W)	1.5	38
Case Height(H)	0.9	22
Mounting Holes(I1)	5.2	132
Mounting Holes(I2)	1.1	29
Mounting Holes(I3)	0.13	3.2
Overall Length	5.6	141

EASEIC

© Copyright 2013 EASEIC INC.
All rights reserved. Rev A1.0
Data is subject to change without notice.
www.easeic.com

Easeic Inc.

27 Hall Street, Brooklyn, NY 11205
Tel.: 1-718-243-9388
Fax: 1-718-243-9403
Customer Support
Customer Care: 1-646-4029788
E-Mail: ny@easeic.com

Easeic Asia Limited.

Rm. 19C, Lockhart Ctr., 301-307
Lockhart Rd., Wan Chai, Hong Kong
Tel.: 852-6955-8075
Fax: 852-6915-3639
E-Mail: info@easeic.com

Easeic Sci-tech Co., Ltd.

No. 37 Huancun Xi Rd., Liangtian
Industrial Area,
Baiyuan District, Guangzhou, China
Tel.: 86-20-8230-9676
Fax: 86-20-8230-9677
E-Mail: sales@easeic.com